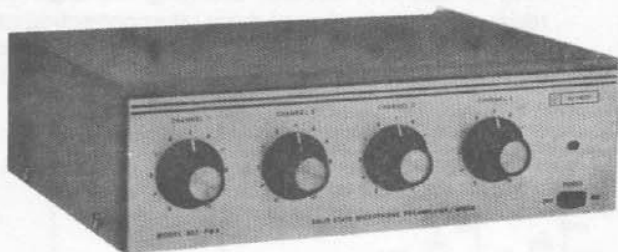




## OPERATING INSTRUCTIONS



**MODEL 802-PMA**  
**MICROPHONE PREAMPLIFIER-MIXER**

**WARNING - TO PREVENT FIRE OR SHOCK HAZARD, DO NOT EXPOSE THIS APPLIANCE TO RAIN OR MOISTURE.**

### DESCRIPTION

The Raymer Model 802-PMA is a monaural all silicon solid state low noise microphone preamplifier-mixer with a circuit designed to eliminate interaction between volume controls. The preamplifier-mixer provides a choice of three input combinations as follows: (1) 4 microphones; (2) 3 microphones and 1 auxiliary; (3) 2 microphones and 2 auxiliaries. Each microphone input has a selector switch to match either high or low impedance microphones (unbalanced). Two of the four channels will accept high level signals such as a tuner or phono. Two outputs are provided: (1) a high level output to match the auxiliary (Phono/Line) input of an amplifier, and (2) a low level output to match the microphone input of an amplifier. Two or three 802-PMA outputs may be paralleled into an external amplifier input for a maximum of 12 inputs. An isolated signal ground permits rack mounting of the unit without forming "ground loops".

### UNPACKING

The unit is to be removed carefully from the carton and inspected for any possible damage in transit. If there is any evidence of any damage which might have occurred in shipment, immediately notify your supplier, or the transportation company which delivered it. Claims for damage sustained in transit must be made upon the carrier. Save all packing material for inspection by the claim agent who will furnish you with the proper forms and will also give you the necessary instructions for filing a claim.

### INSTALLATION

Raymer Model 802-PMA has ample vents for normal ventilation; however, it should be placed so as to permit

free air flow around the unit. If installed in a cabinet, ample ventilation must be allowed around the unit. **DO NOT STORE OR OPERATE THE AMPLIFIER** in areas where the ambient temperature exceeds 140°F.

The amplifier may be mounted in a 3 1/2" vertical panel space in a rack, using a Raymer RPK-4 rack mounting kit.

Plug the AC line cord in any outlet furnishing 105 to 120 volts, 60 cycles AC.

### INPUT CONNECTIONS AND CONTROLS

All connections are made on the rear panel of the unit.

All patch cords and input leads must be shielded cables. Input connections to the AUX jacks are made by means of a standard phono plug. Input connection to the MICROPHONE jacks are made by means of a standard size shielded phone plug.

### CAUTION

Due to the high gain involved, a plug with a metal cover, and *not* a plastic cover, must be used to prevent supersonic oscillation from occurring.

The MICROPHONE input jacks are for an unbalanced line only. The switch above the microphone input selects the proper input impedance. The HI-Z position will match either crystal or high impedance dynamic microphones; the Lo-Z position will match microphones in the 150 to 500 ohm range.

If it is necessary to use a balanced input, an outboard matching transformer such as Raymer Model LMT-150 must be used. If the signal source is a telephone line or a 500\*ohm input, the connection can be made to the amplifier by means of a Raymer Telephone Matching Adaptor model TM-2.

When it is desirable to use a high level input such as a tape recorder or crystal phono instead of a microphone, Channel 3 or 4 must be used. The high level input connections are made by means of the AUX 3 or AUX 4 jack. The input connected to AUX 3 jack is controlled by the Channel 3 knob and AUX 4 input is controlled by the Channel 4 knob.

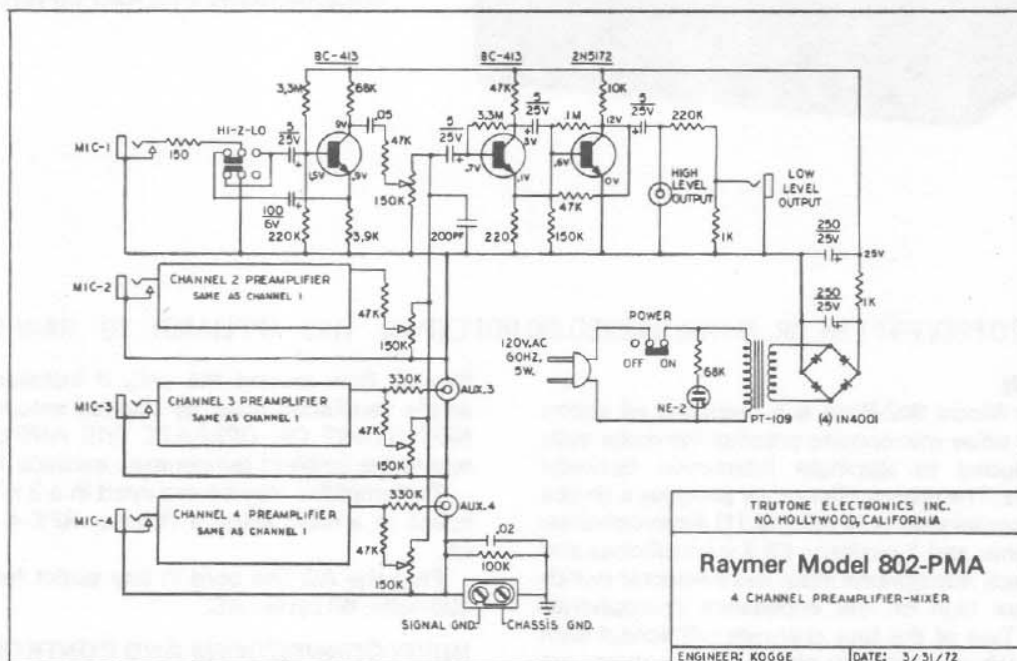
### OUTPUT CONNECTIONS

Two output levels are provided. The high level output connection is made by means of a phono plug. The low level output connection is made by means of a phone plug. To connect Model 802-PMA to an amplifier, a shielded cable with suitable connectors on each end must be used. The high level output will match the auxiliary (Phono/Line) input of an amplifier; the low level output will match the microphone input of an amplifier. For optimum results, a Hi-Z microphone input should be used.

Up to three 802-PMA preamplifier-mixer units may be operated in parallel to provide a total of twelve inputs. When paralleling the units, the high level outputs must be connected together.

Model 802-PMA can be rack mounted through the use of Rack Panel Kit RPK-4. If the 802-PMA is rack mounted with its associated amplifier, or if the case of the 802-PMA is connected to the case of the amplifier, the jumper between the terminals marked SIGNAL GROUND and CHASSIS GROUND must be disconnected to prevent "ground loops" caused by multiple grounding.

Because of the low impedance of the 802-PMA outputs, the connecting cable to the amplifier may be as long as 200 feet without affecting the high frequency response. When using a longer interconnecting cable, the total capacitance of the cable should not exceed 10,000 mmf, as otherwise high frequency attenuation will occur.



### WARRANTY

This unit has been very carefully inspected and is warranted to be free from defects in material and workmanship under normal use and service for a period of one year from date of sale to the original purchaser. This Warranty does not extend to any unit which has been subject to abuse, misuse, neglect, accident, improper installation, or alterations. The obligation of Trutone Electronics under this Warranty is limited to the repair of any defect in material or workmanship and/or the replacement of any defective part, provided the unit is returned to Trutone Electronics Inc. transportation paid within the year.

It is recommended that any unit on which service is required be processed through your distributor or installation company wherever possible.

This Warranty is expressly in lieu of all other Warranties, expressed or implied, and of all other obligations or liabilities on our part. We neither assume nor authorize any other person to assume for us any other liability in connection with the products manufactured by Trutone Electronics, Inc.

Made in U.S.A. by

**TRUTONE ELECTRONICS, INC.** 7315 Fulton Avenue • North Hollywood, California 91605 • (213) 875-0423