

**EV** **Electro-Voice**<sup>®</sup>  
**MUSIC MICROPHONES**

**N/D**<sup>®</sup> **Series**  
**757, 757S**

## Supercardioid Dynamic Vocal Microphone

The Electro-Voice N/D757 is a supercardioid dynamic microphone utilizing a revolutionary neodymium alloy to form the EV-exclusive N/DYM<sup>®</sup> magnet with four times the power potential of conventional microphone magnets. With a computer-optimized design, the N/DYM magnetic structure is maximized in the N/D757 to provide up to 6-dB more output sensitivity over conventional designs while the more uniform magnetic field lowers distortion during peak sound pressure levels.

The large diaphragm contains 50 percent more surface area than conventional designs and is reinforced to prevent "breakup." The result is an extended high-frequency response with an open, transparent sound quality.

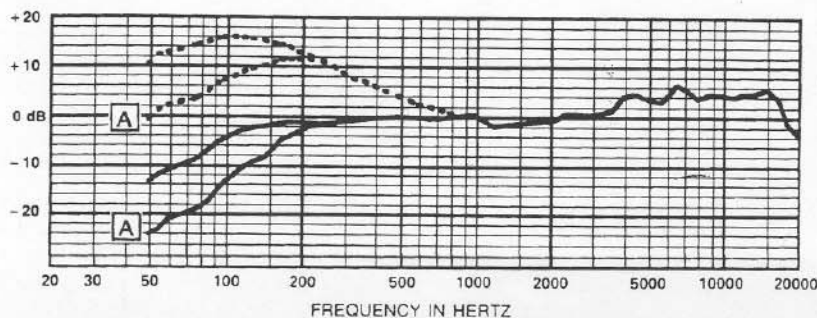
The exceptional sensitivity of the N/D757 combined with the inherently low noise of a dynamic transducer insures a superior signal-to-noise ratio ready for digital recording and sampling. To further reduce noise, a highly effective hum-bucking coil is used to cancel hum from lighting and other sources.

The N/D-Series design also features a unique shock mount totally surrounding the microphone element. Combined with the elastomeric Warm-Grip<sup>™</sup> handle and windscreen bumper, this vibration-isolation system greatly reduces all forms of handling noise. An Acoustifoam<sup>™</sup> pop filter is included to reduce both wind noise and "p-pop" breath sounds.

The uniform supercardioid polar pattern of the N/D757 insures superior gain-before-feedback in live applications and better isolation in the studio—at all frequencies—compared with other directional microphones with widely varying polar characteristics.



### FREQUENCY RESPONSE



**A** Reduced Bass Position

# N/D<sup>®</sup> 757, 757S

## SPECIFICATIONS

Frequency Response,	
Close Response:	25 to 22,000 Hz
Far Response:	50 to 18,000 Hz
Polar Pattern:	supercardioid
Open Circuit Voltage:	3.1 mV/Pascal @ 1000 Hz
Sensitivity:	-50 dB (where 0 dB = 1 mV/10 dynes/cm <sup>2</sup> )
Dynamic Range:	144 dB
Equivalent	
Output Noise:	14 dB (0 dB = .0002 dyne/cm <sup>2</sup> )
Impedance:	150 ohms balanced (Lo-Z)
Weight:	7.7 ounces (218 grams)
Dimensions,	
Height:	7.12 inches (181 mm)
Diameter:	2.05 inches (52 mm)
Shank:	0.80 inch (20 mm)

## OPERATION

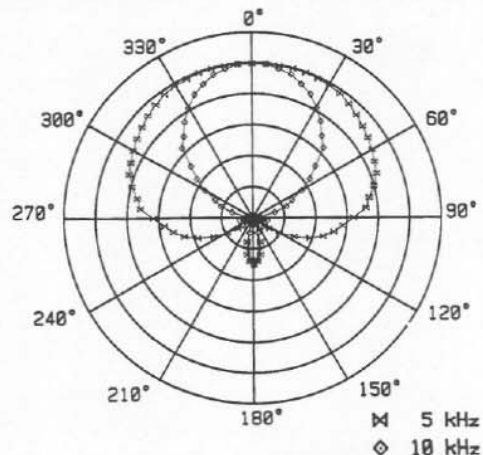
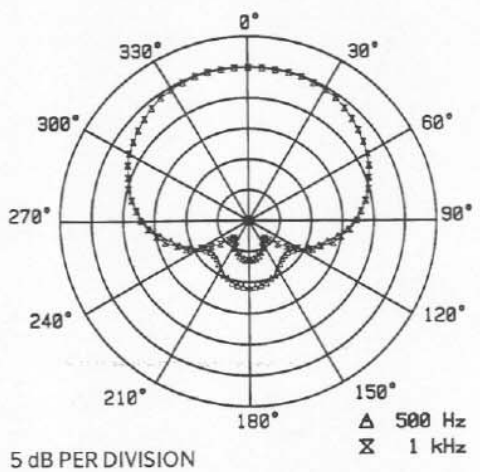
The switch-selected bass response of the N/D757 allows optimal performance under varying conditions. The "normal" switch position provides a "flat" bass response when the microphone is positioned further than 12 inches from the sound source. The high- and low-frequency response of the N/D757 can be extended by positioning the microphone closer to the sound source as documented in the specification section. This baffle and proximity effect occurs when the microphone is placed within 12 inches of the sound source and increases as the working distance is reduced. The "rolled-off" switch position lowers the bass content to provide maximum vocal clarity during close-proximity applications. Thus, closer working distances can be used with N/D757 to reduce the risk of sound system feedback (ringing) while preserving intelligibility.

The N/D757S is equipped with an on/off switch that shorts the mic element when set to off position permitting the user to have local muting control.

The dynamic element of the N/D757 will provide reliable operation in humidity and temperature extremes—adverse conditions that would render condenser microphones useless. For years of trouble-free operation "on-the-road," the N/D757 utilizes an all-metal-core construction, from the hardened windscreen to the Warm-Grip covered handle.

Patent Pending

## POLARS



## CERTIFIED PERFORMANCE

Every N/D757 microphone is inspected by a quality-control technician and subjected to a computer-controlled test system that verifies over 80 different performance parameters. After the performance meets or exceeds our rigorous standards, the actual measured frequency response of the unit tested is plotted on a "Certificate of Performance" and included with the microphone. This certificate guarantees that each N/D757 will perform to the exacting standards established by EV design engineers — **100% quality-assurance testing.**

## WARRANTY (LIMITED) —

Electro-Voice N/D<sup>®</sup> Series Microphones are guaranteed against malfunction from any cause for a period of two years from date of original purchase. Also, these microphones are guaranteed without time limit against malfunction in the acoustic system due to defects in workmanship and material. Other provisions apply; please see warranty card enclosed with microphone, or write for complete details.



**ELECTRO-VOICE, INC., 600 Cecil Street, Buchanan, Michigan 49107**

MANUFACTURING PLANTS AT ■ BUCHANAN, MI ■ NEWPORT, TN ■ SEVIERVILLE, TN ■ REDMOND, WA ■ GANANOQUE, ONT.  
© Electro-Voice, Inc. 1989 ■ Litho In U.S.A. Part Number 531225—918

MARK IV company