

# DRC-2



- Mounts directly to drum rim eliminating the need for a mic stand
- Fits most metal tom-tom and snare drum rim profiles
- Easy-to-use finger loop makes mounting simple
- Stays securely on your drum



The Electro-Voice DRC-2 is a convenient drum rim clamp for mounting microphones directly to a drum, eliminating the need for a dedicated mic stand or boom.

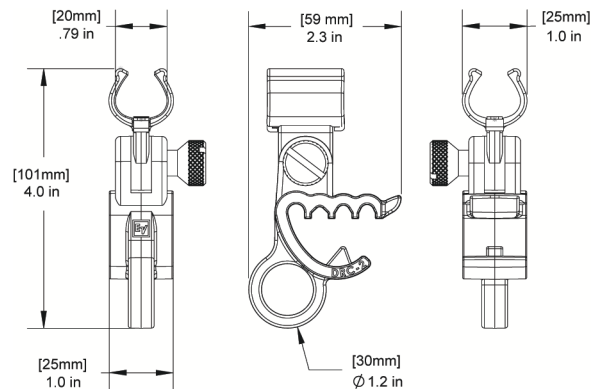
The DRC-2 is designed to fit most metal drum rims. Its easy-to-use finger loop provides a simple means of gripping the clamp and applying leverage to mount successfully, and its jaw profile stays securely on the drum.

**Fits:**  
 Current ND Series models; ND44, ND46, and ND66.  
 Older generation; N/D468, N/D308, and N/D408.  
 Any other Electro-Voice microphone with a .8" diameter body.

## Technical specifications

Material:	TPU Mic Clip with Rubber Anti-Slip Insert, TPR Drum Claw and Steel hardware
Color:	Black
Dimensions, Height:	4.0 in (101 mm)
Width:	2.3 in (59 mm)
Depth (Less knob):	1.0 in (25 mm)
Net Weight:	2.1 oz (59.5 g)
Shipping Weight:	4.5 oz (128 g)

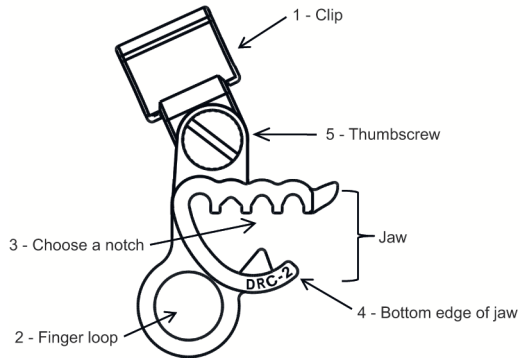
### Dimensions:



## System overview

**Mounting the DRC-2 drum rim clamp to a drum rim:**  
 This method can be used with or without the ND Series microphone mounted in the clip (1).  
 To **mount the DRC-2 drum rim clamp to a drum rim**, do the following:

1. Grip the DRC-2 firmly by placing your index finger in the finger loop (2).



2. Choose a notch (3) at the top of the DRC-2 jaw and place it to the drum rim so the top edge of the rim fits inside the desired notch.
3. Using the finger you placed through the finger loop (2), pull downwards and allow the edge of the bottom DRC-2 jaw (4) to latch to the bottom edge of the drum rim.
4. Using the thumbscrew (5), tension can be adjusted on the pivoting joint as desired.

## Parts included

Qty.	Item
1	DRC-2 drum rim clamp
1	Engineering data sheet
1	Warranty and Product Documentation Information card

## Ordering information

### DRC-2

Drum rim clamp, black

Order number **DRC-2**

#### Represented by:

**Germany:**  
Bosch Sicherheitssysteme GmbH  
Robert-Bosch-Ring 5  
85630 Grasbrunn  
Germany

Bosch Security Systems, Inc.  
12000 Portland Avenue South  
Burnsville MN 55337  
USA

[www.electrovoice.com](http://www.electrovoice.com)