

EVID C44



- Quick-install design with captive mounting tabs to fit nearly any ceiling construction.
- Four-pin Phoenix connectors on ceiling satellite speakers support pass-thru wiring.
- UL 2043/1480 ratings allow for use in signaling applications and plenum air spaces.
- Ceiling cutout templates and all mounting accessories included.
- Available in white finish.



The EVID C44 ceiling mount EVID Compact Sound Speaker System is a complete loudspeaker system package with matched components that together deliver high quality sound. The system is ideal for background and foreground music systems for restaurants, bars, patios, retail, and other applications. The system consists of a high performance ceiling mount 8-inch subwoofer module with a crossover network to support the included four (4) ceiling mount 2-inch satellite speakers. The system provides for easy signal connections at the subwoofer and can support either 4 ohm or 70/100v signal connections. Its high power handling allows the system to be used in a wide variety of environments and spaces to provide high quality background or foreground music.

Technical specifications

	EVID C2.1	EVID 40C
Frequency Response (-10 dB):	180 Hz - 20 kHz ¹	45 Hz - 300 Hz ¹
Power Handling:	30 W ²	200 W ²
Sensitivity:	84 dB ¹	88 dB ¹
Impedance:	16 ohms	mono 4 ohm
Maximum SPL:	102 dB	114 dB
Voice Coverage (H x V):	150° x 150° ³	Omnidirectional

	EVID C2.1	EVID 40C
Music Program Coverage (H x V):	100° x 100° ⁴	Omnidirectional
Transducer:	50 mm (1.97 in)	200 mm (7.87 in)
Connectors:	Phoenix (4-pin)	Phoenix (2-pin)
Enclosure:	Steel & ABS (fire rated)	Steel & ABS (fire rated)
Transformer Taps:	N/A	100 W, 50 W, 25 W, 12.5W
Dimensions (H x Dia):	119 mm x 135 mm (4.7 in x 5.3 in)	316 mm x 373 mm (12.44 in x 14.69 in)
Cutout Size:	114 mm (4.49 in)	346 mm (13.6 in)
Net Weight: (each)	0.82 kg (1.8 lb)	9.52 kg (21 lb)
Shipping Weight: (pair)	1 sub and 4 satellites: 19.05 kg (42 lb)	
Included Accessories:	C-Ring	C-Ring, Tile Rails

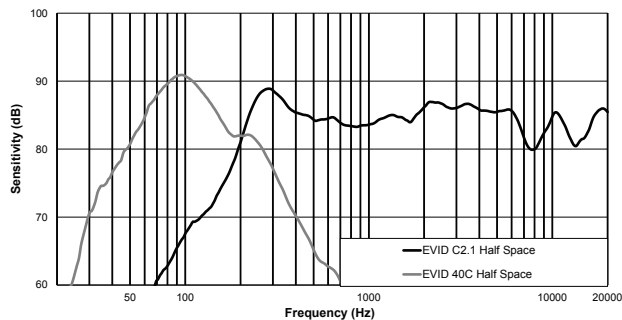
1. Half space.
2. Long Term Program Rating, 3 dB greater than continuous noise pink noise rating.
3. Average 1 kHz – 4 kHz.
4. Average 1 kHz – 8 kHz.

System overview

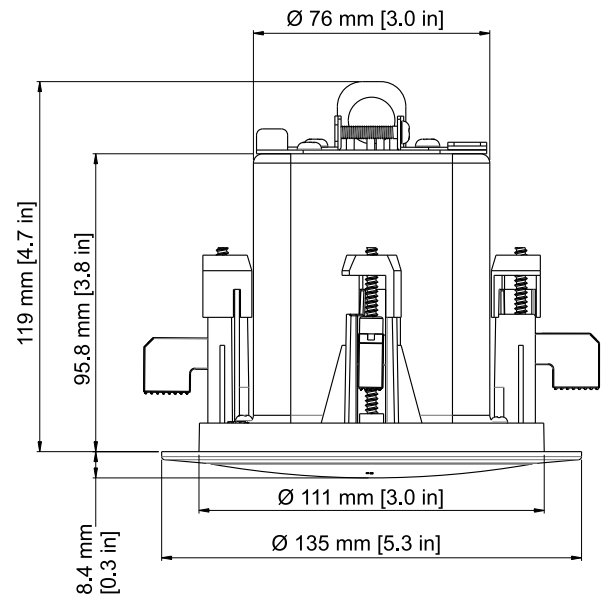
Architecture and Engineering Specifications:

The loudspeaker system shall be a two-way design consisting of a separate subwoofer containing one (1) 8-inch (200 mm) low-frequency transducer, four (4) satellites consisting of 2 inch (50 mm) high-frequency transducers, and frequency-dividing network installed in the vented subwoofer enclosure. All input and output signal connections shall be made at the subwoofer. All signal connections for the subwoofer and satellite speakers shall be made using phoenix style connectors. The system shall be capable of operating up to 100 watts when driven with a 100V or 70V amplified source signal. The loudspeaker system shall meet the following performance criteria: Power handling, 200 watts of Long Term Program Rating; Frequency response, 45 Hz – 20 kHz (-10 dB from rated sensitivity); Impedance, 4 ohms nominal. The high frequency transducer in the satellites speakers shall provide even coverage of a minimum 100° conically averaged over frequency range of 1 – 8 kHz and a minimum 150° horizontally by 150° vertically averaged over a frequency range of 1 – 4 kHz. The subwoofer enclosure shall be constructed of stamped steel with an integrated fire rated ABS baffle. The satellite speakers shall be constructed of stamped steel with a fire rated ABS baffle. The subwoofer enclosure shall be 12.44 inch (316 mm) high and 14.69 inch (373 mm) in diameter. The satellite speaker enclosure shall be 4.7 inch (119 mm) high and 5.3 inch (135 mm) in diameter. The ceiling mount loudspeaker system shall be EVID 40C or the EVID C2.1 models.

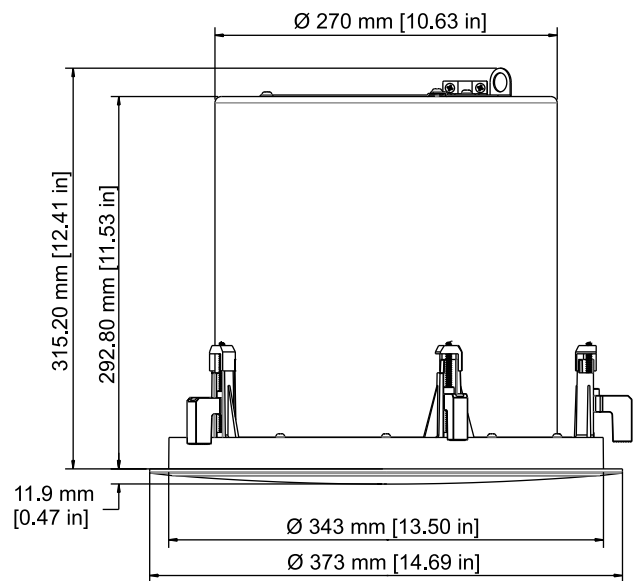
Frequency response:



Dimensions:



EVID C2.1



EVID 40C

Parts included

Quantity	Description
2	EVID C2.1 ceiling mount satellite speakers
2	Grilles
2	C-ring supports
1	Cutout template
1	Engineering data sheet
2	Paint shields

* Ceiling Mount Satellite Speaker (1 box)

Quantity	Description
1	Ceiling mount subwoofer
2	Tile rails
1	C-ring support
1	Grille
1	Installation manual
2	screws
1	Cutout template
1	Paint shield

* Ceiling Mount Subwoofer (1 box)

Ordering information

EVID C44

Ceiling mount speaker package - ceiling mount subwoofer and four (4) ceiling mount satellite speakers; white

Order number **EVID-C44**

EVID C2.1

Ceiling mount satellite speaker system (priced and sold in pairs); white finish

Order number **EVID-C2.1**

EVID 40C

Ceiling mount subwoofer; white finish

Order number **EVID-40C**

Represented by:

Germany:

Bosch Sicherheitssysteme GmbH
Robert-Bosch-Ring 5
85630 Grasbrunn
Germany

Bosch Security Systems, Inc.
12000 Portland Avenue South
Burnsville MN 55337
USA

www.electrovoice.com